

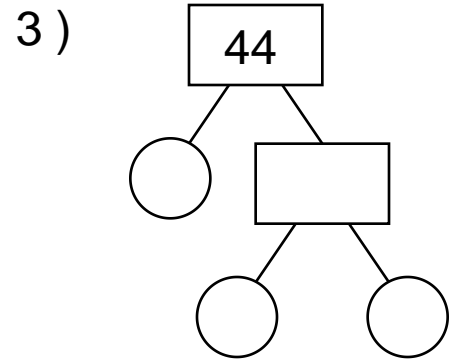
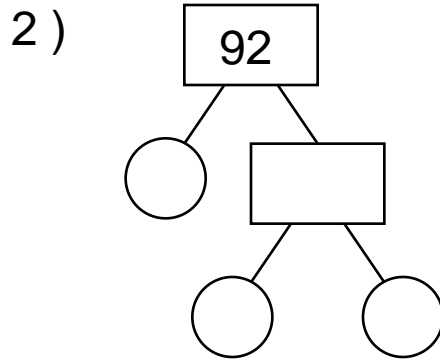
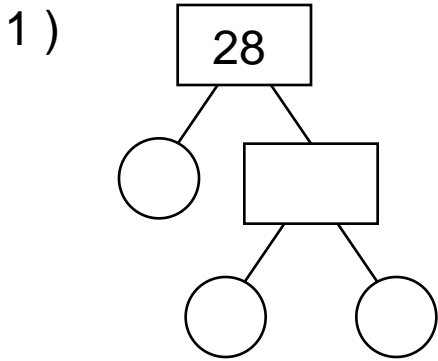
Name : \_\_\_\_\_

Score : \_\_\_\_\_

Teacher : \_\_\_\_\_

Date : \_\_\_\_\_

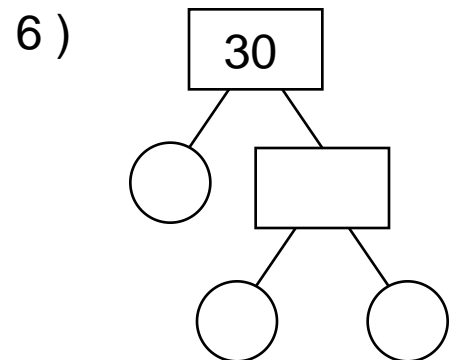
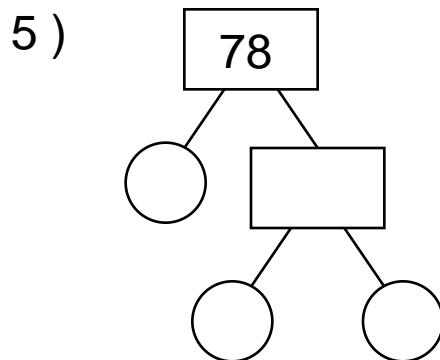
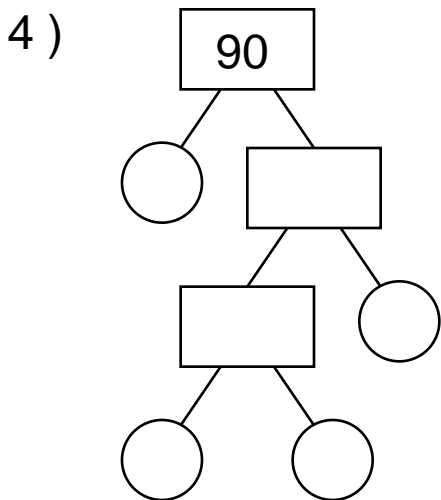
Find the Prime Factors of the Numbers



Prime Factors  
\_ x \_ x \_ = 28

Prime Factors  
\_ x \_ x \_ = 92

Prime Factors  
\_ x \_ x \_ = 44



Prime Factors  
\_ x \_ x \_ x \_ = 90

Prime Factors  
\_ x \_ x \_ = 78

Prime Factors  
\_ x \_ x \_ = 30



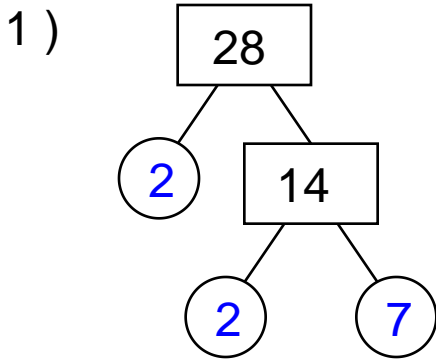
Name : \_\_\_\_\_

Score : \_\_\_\_\_

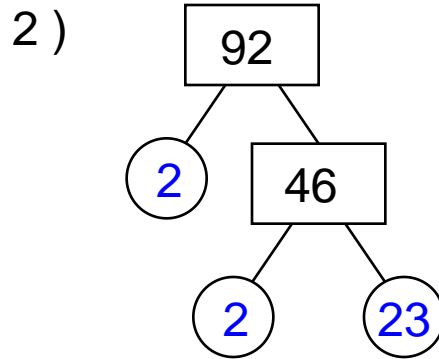
Teacher : \_\_\_\_\_

Date : \_\_\_\_\_

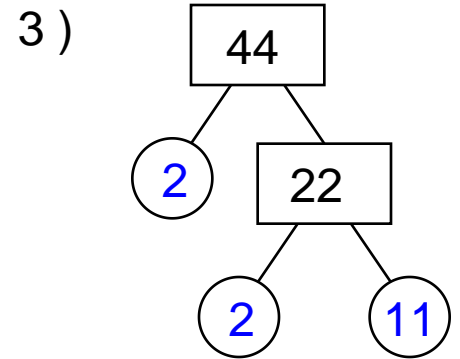
Find the Prime Factors of the Numbers



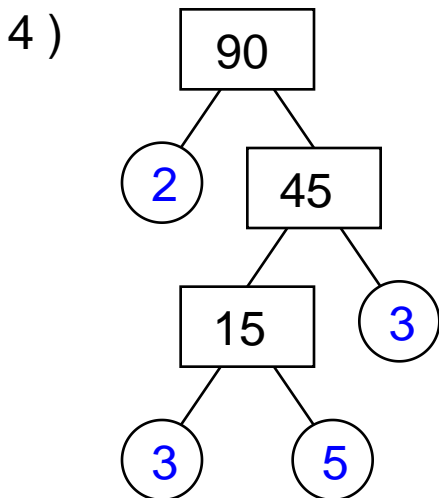
**Factors**  
 $2 \times 2 \times 7 = 28$



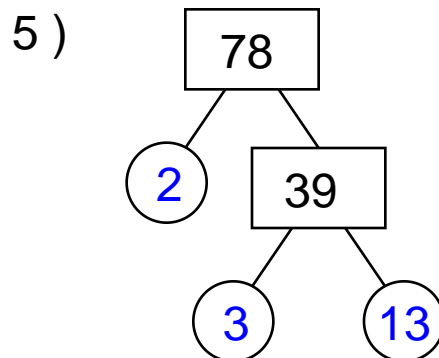
**Factors**  
 $2 \times 2 \times 23 = 92$



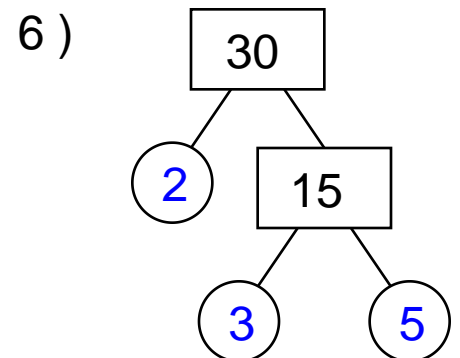
**Factors**  
 $2 \times 2 \times 11 = 44$



**Factors**  
 $2 \times 3 \times 3 \times 5 = 90$



**Factors**  
 $2 \times 3 \times 13 = 78$



**Factors**  
 $2 \times 3 \times 5 = 30$

